

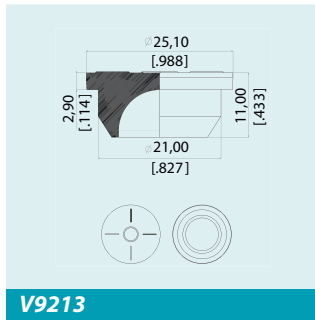
INFUSION STOPPERS

CLOSURES FOR LARGE VOLUME PARENTERALS

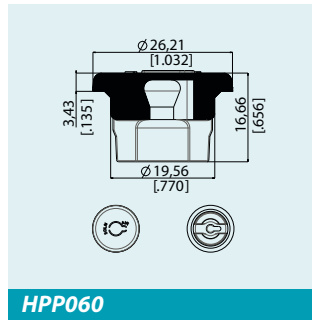
- Standard sizes: 26, 28, 29, 32 and 36 mm
- ISO and DIN types
- Stoppers and discs
- Low piercing force
- Excellent spike retention
- No leakage, fast resealing

TYPICAL PRODUCTS

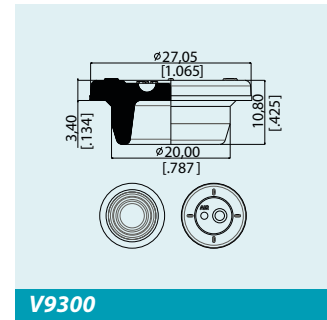
26 mm



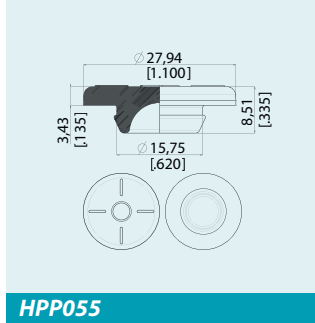
26 mm lyophilization



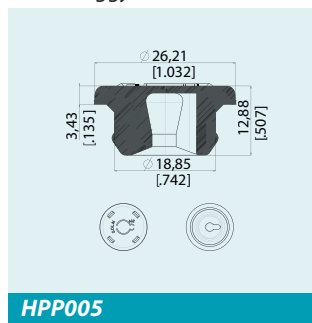
28 mm



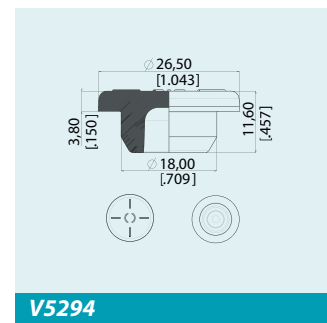
28 mm



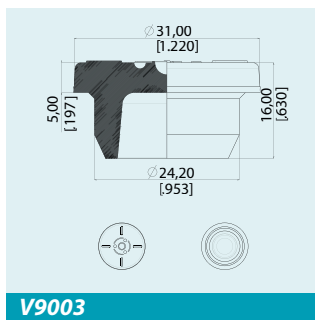
28 mm Piggy back



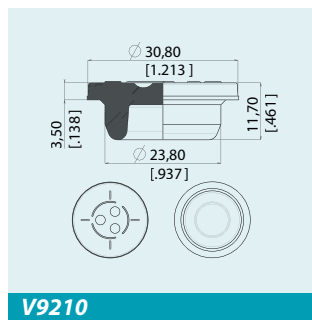
29 mm



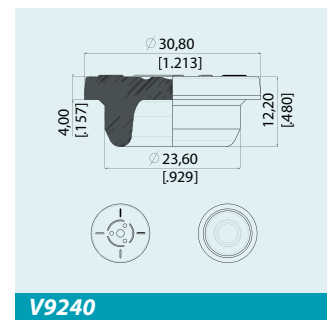
32 mm



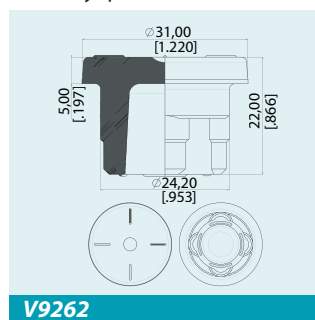
32 mm



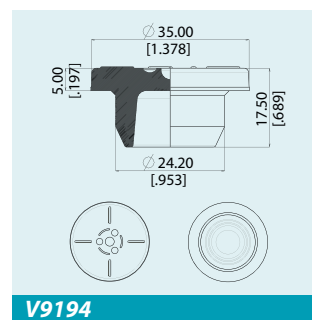
32 mm



32 mm lyophilization



36 mm



For availability of this product range in OmniflexPlus version, Ready-for-Sterilization or Ready-To-Use presentations, please contact your local sales representative. See also separate brochures on «coated stoppers» and «Ready-To-Use».

The present document has been prepared with the utmost care, and to the best of our knowledge contains correct information. However, its validity in and its applicability to any specific case must be confirmed at the moment of contract confirmation.