

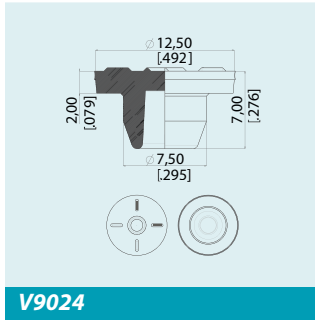
SERUM STOPPERS

CLOSURES FOR SMALL VOLUME PARENTERALS

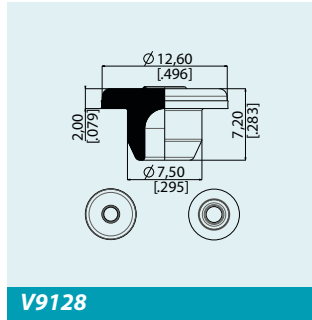
- Standard sizes: 13 and 20 mm
- ISO and DIN types
- With or without blow-back
- Piercing thickness from 1.75 to 3.3 mm
- Different flange markings

TYPICAL PRODUCTS

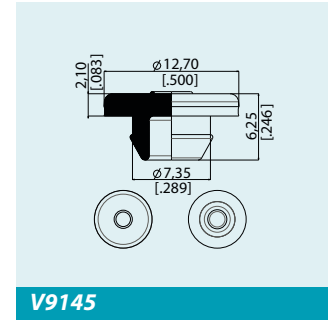
13 mm without blow-back



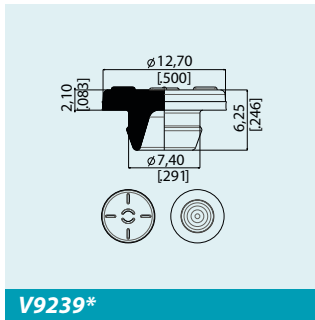
13 mm without blow-back



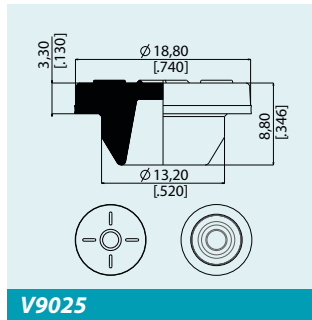
13 mm with blow-back



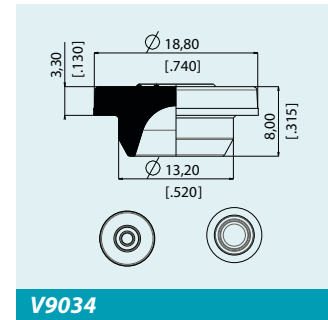
13 mm with blow-back



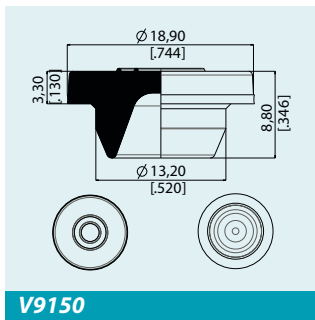
20 mm without blow-back



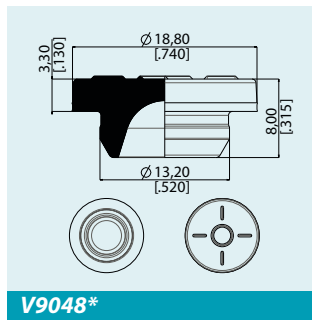
20 mm without blow-back



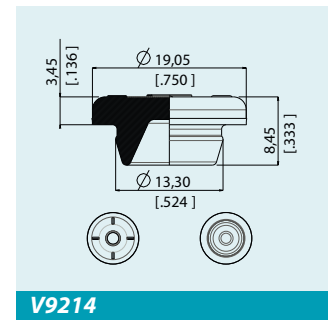
20 mm without blow-back



20 mm with blow-back



20 mm with blow-back



Serum stoppers are available in Ready-for-Sterilization and Ready-To-Use

*specific designs also available with OmniflexPlus coating.

More serum stoppers designs can be found in the "coated closures" brochure.

The present document has been prepared with the utmost care, and to the best of our knowledge contains correct information. However, its validity in and its applicability to any specific case must be confirmed at the moment of contract confirmation.