



COMPONENTS FOR REFILLED SYRINGES

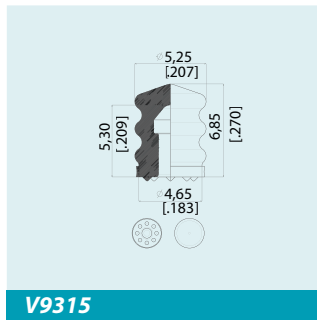
- Broad range of standard designs
- Typical Formulations (FM457, FM480, FM27)
- Available in Ready-for-Sterilization or Ready-To-Use

Components for prefilled syringes

Datwyler offers worldclass prefilled syringe formulations such as FM457, a WFI rubber compound with an extremely low extractables profile or FM480, the rubber compound for an extra low gamma irradiation set. For needle shields and tip caps, the latex-free rubber compound FM27 is available. Other standard formulations are available. All these formulations are registered in a DMF file at the FDA.

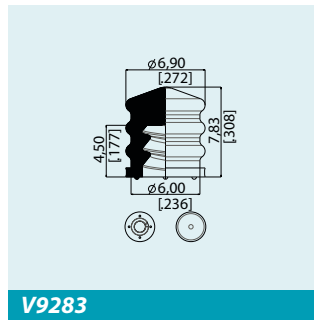
TYPICAL PRODUCTS

0.5 ml



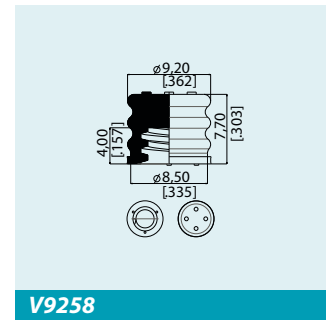
V9315

1 ml long



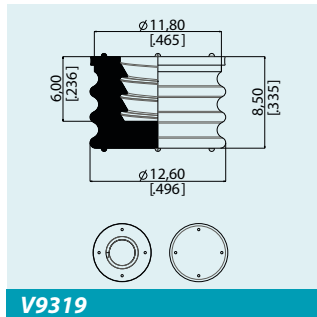
V9283

1 - 3 ml



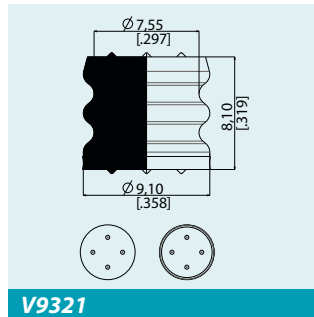
V9258

5 ml



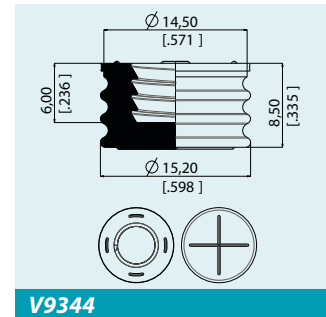
V9319

Dual chamber plunger



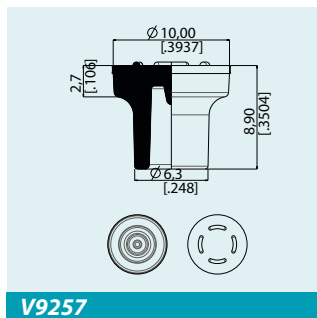
V9321

10 ml



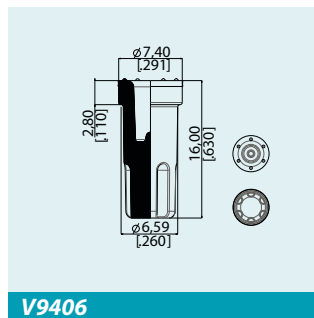
V9344

Mushroom Tip Cap



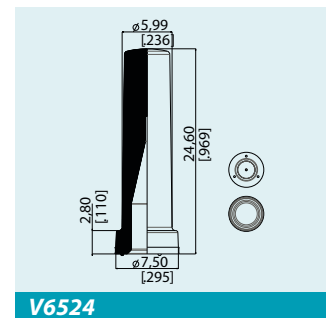
V9257

Ribbed Tip Cap



V9406

1/2" Needle Shield



V6524

All prefilled syringe components are available in Ready-for-Sterilization or Ready-To-Use process.

For more detailed information on our prefilled syringe program please contact your Datwyler representative.

More component designs can be found in the "Omniflex CP" brochure.

The present document has been prepared with the utmost care, and to the best of our knowledge contains correct information.

However, its validity in and its applicability to any specific case must be confirmed at the moment of contract confirmation.