

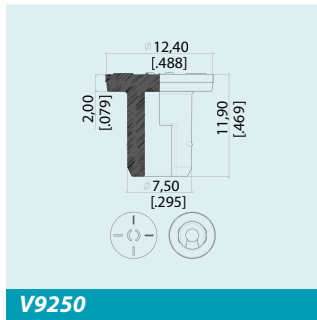


LYOPHILIZATION STOPPERS CLOSURES FOR SMALL VOLUME PARENTERALS

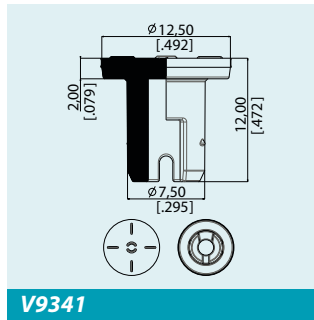
- Optimal stability during lyophilization process
- Excellent seal integrity
- Special low-moisture compound available

TYPICAL PRODUCTS

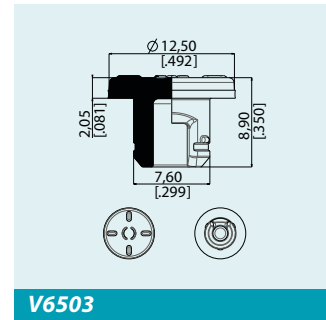
13 mm



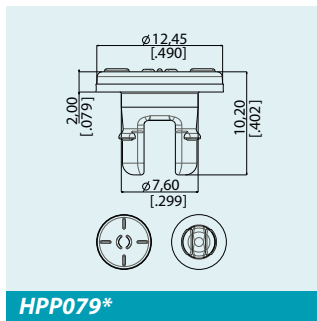
13 mm



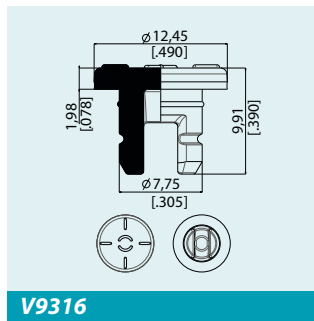
13 mm



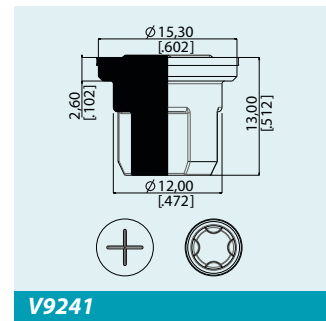
13 mm



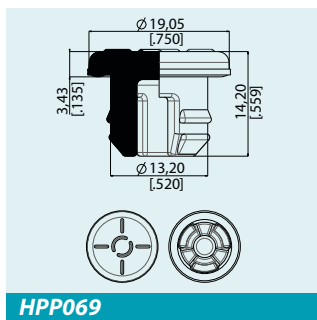
13 mm



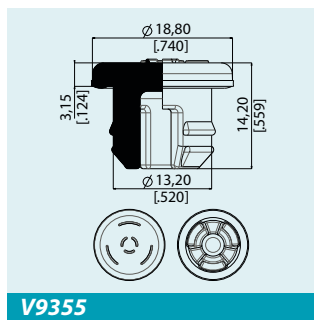
18 mm



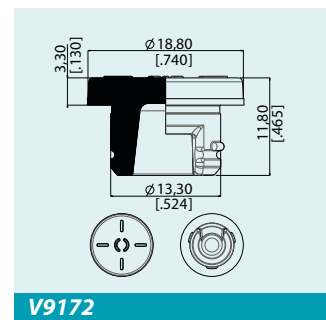
20 mm



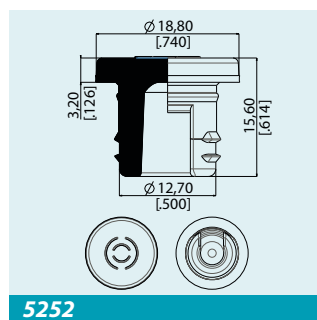
20 mm



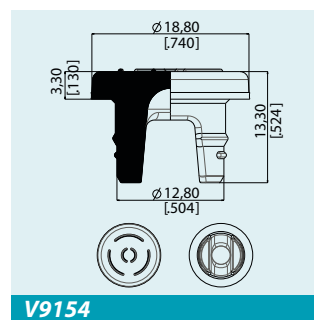
20 mm



20 mm



20 mm



Lyophilization stoppers are available in Ready-for-Sterilization and Ready-To-Use

*specific design also available with Omniflex 3G Coating.

More Lyophilization stopper designs can be found in the "coated closures" brochure.

The present document has been prepared with the utmost care, and to the best of our knowledge contains correct information.

However, its validity in and its applicability to any specific case must be confirmed at the moment of contract confirmation.